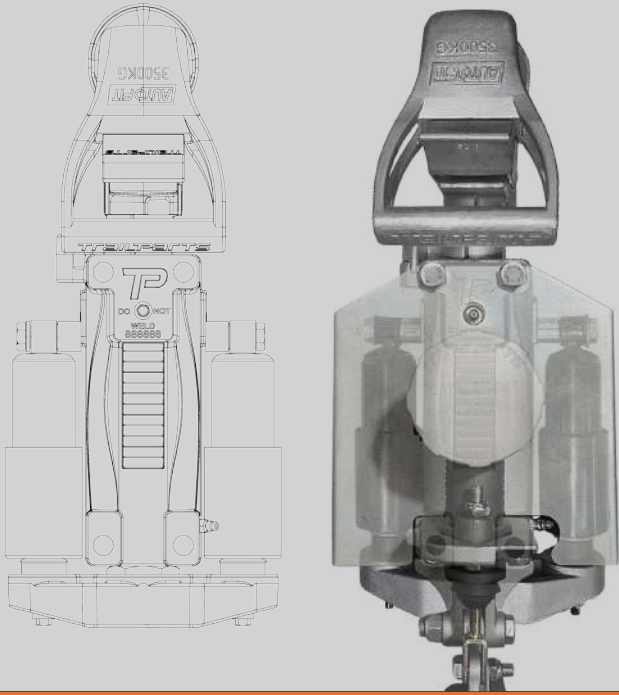


## NEW INNOVATION



# hygo3

## 3500kg

- Dual dampers for soft ride action.
- Seperate handbrake / breakaway lever.
- Autofit multi-ball coupling - 50mm & 1 7/8"

**NO ELECTRONICS, NO IN-CAB WIRING REQUIRED**

### What's new?

The Trailparts Hygo3 features an Autofit over-ride coupling with a standard 54mm x 184mm mount pattern. New 200mm dual dampers integrated each side of the coupling body absorb vibration, stabilizing both the tow vehicle and trailer resulting in a smoother, safer ride. The over-ride shaft has been thickened from 38mmØ to 50mmØ increasing the couplings over-all rating to 3500kg. The handbrake / breakaway lever is now separately installed allowing more options when designing the trailer.



### Core Benefits of the Hygo3

#### Two Tier Offering

Trailparts Hygo3 can be used with both hydraulic drum brakes, or our high performance Patriot hydraulic disc brakes.

#### Off the shelf components

Nobody wants to mess around with expensive, hard to find spares and parts, a big problem with EU imports. This system uses Trailparts core off the shelf components offering customers fully customised builds with readily available parts.

#### Multiple tow vehicles

With no in-cab wiring, trailers fitted with the Hygo3 can be towed without brake controllers.

#### Parking Brake & Auto-Reverse

The Hygo3 has an effective, easy to install parking brake and features auto-reverse to release the brake when the tow vehicle is shifted into reverse.

#### Unihub Compatible

Unihub is our latest innovation and an all new hub design for the NZ market. Low maintenance, bigger safety margins. Ask now more more details.

#### Break-away Function

In the event of a vehicle separation, the break-away feature on our coupling will immediately apply the brakes.

**TRAILPARTS**™  
Innovative Trailer Solutions



**We do the business.**

## Handbrake & Breakaway System

A stand-alone cable brake system provides a parkbrake function that doubles as an emergency brake that activates in the event of a tow vehicle separation. The lever on the Hygo3 is mounted separate from the coupling body allowing more custom options.

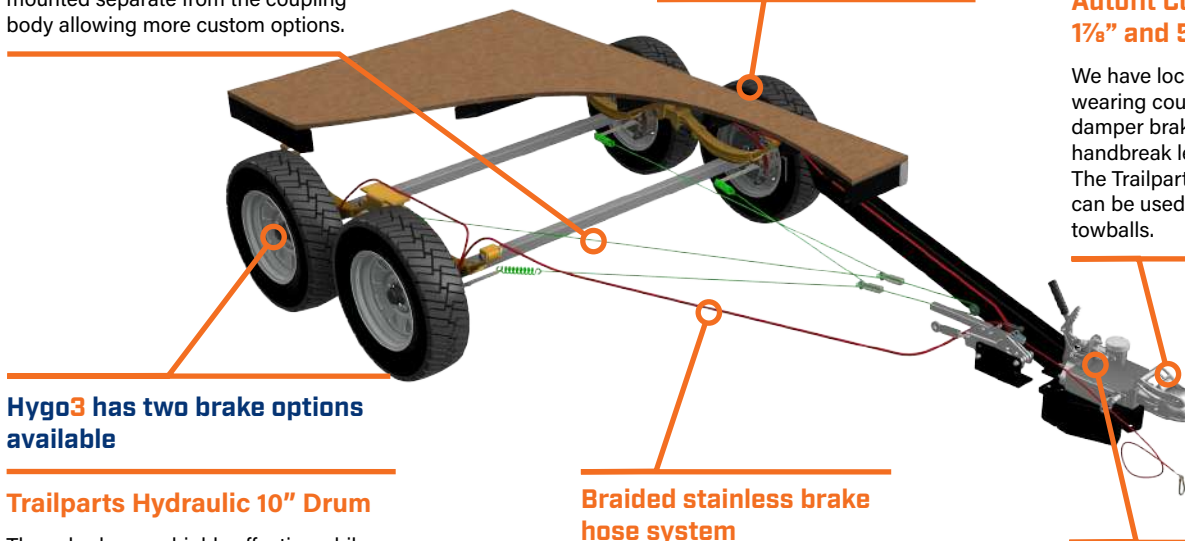
## Wheel Specification

Testing and certification of the Trailparts Hygo3 system use tyres that are 195mm wide. Wheel diameters between 525mm (195/50R13C) and 675mm (195R14) can be used.

# hygo3

## Autofit Coupling to fit both 1 7/8" and 50mm

We have locally engineered robust hard wearing couplings. These have dual damper braking action and a separate handbrake lever, breakaway function. The Trailparts™ Autofit coupling head can be used on both 1 7/8" and 50mm towballs.



## Hygo3 has two brake options available

### Trailparts Hydraulic 10" Drum

These brakes are highly effective while being a very economic brake option.

### Trailparts Patriot Disc with 230mm Vented Rotor

High performance is available, when these disc brakes are fitted. The excess of performance available means minimal wear, and they are self adjusting. They also have an inbuilt park brake lever function.

## Braided stainless brake hose system

Banjo braided stainless brake lines are specified throughout.

The Banjo brake hoses are incredibly fast to fit, and can be done with simple tools and nonspecialized labour.

## High performance hydraulic brakes

Hygo3 couplings feature a Trailparts 1" bore master cylinder fitted with Autoback reversing solenoid. Allowing easy reversing as required by EU laws.

## Advantages over EU import trailers:

- Less down time: parts are NZ designed, and replacement parts such as brake pads are available off-the-shelf.
- Lower lifetime costs: replacement parts cost less compared to pricey EU parts. And low-maintenance disc brakes are used instead of the cable and shaft mechanical drum brakes used on all EU trailers.
- Customisation is possible: trailers can still be completely customised and designed to suit your application – and not restricted to the designs that importers want to sell you from their stock.

## Need help with exemptions?

We can help guide you through the process of applying for an exemption for the Hygo3 system. And if you're producing multiple trailers to the UN/ECE R13 standard using the Hygo3 system, we can advise you on streamlining the process significantly. Just another way we do the business, so you can get on with yours. **Get in touch to find out more.**

**TRAILPARTS™**  
Innovative Trailer Solutions



Freephone 0800 487 245  
E sales@trailparts.co.nz  
www.trailparts.co.nz